

Rugged USB 3.0 Hub



Image Credit: www.mars.nasa.gov Photo Credit: www.defense.gov

Military-Grade, Environmentally Sealed, Electromagnetically Shielded, Mountable

The Smartronix Rugged USB 3.0 Hub is the toughest four port hub on the market. Designed from the ground-up for the most extreme operating environments encountered by modern advanced mobile IT systems, the Rugged USB 3.0 Hub is certified to **MIL-STD-810** for temperature, vibration, and pyroshock; **MIL-STD-461** for emissions and susceptibility. The sturdy and dependable Rugged USB 3.0 Hub is the strongest way to interconnect your deployable systems and is fast and reliable under the harshest conditions.

Don't let your USB hub be the weakest link in your fielded IT equipment!

BENEFITS & HIGHLIGHTS

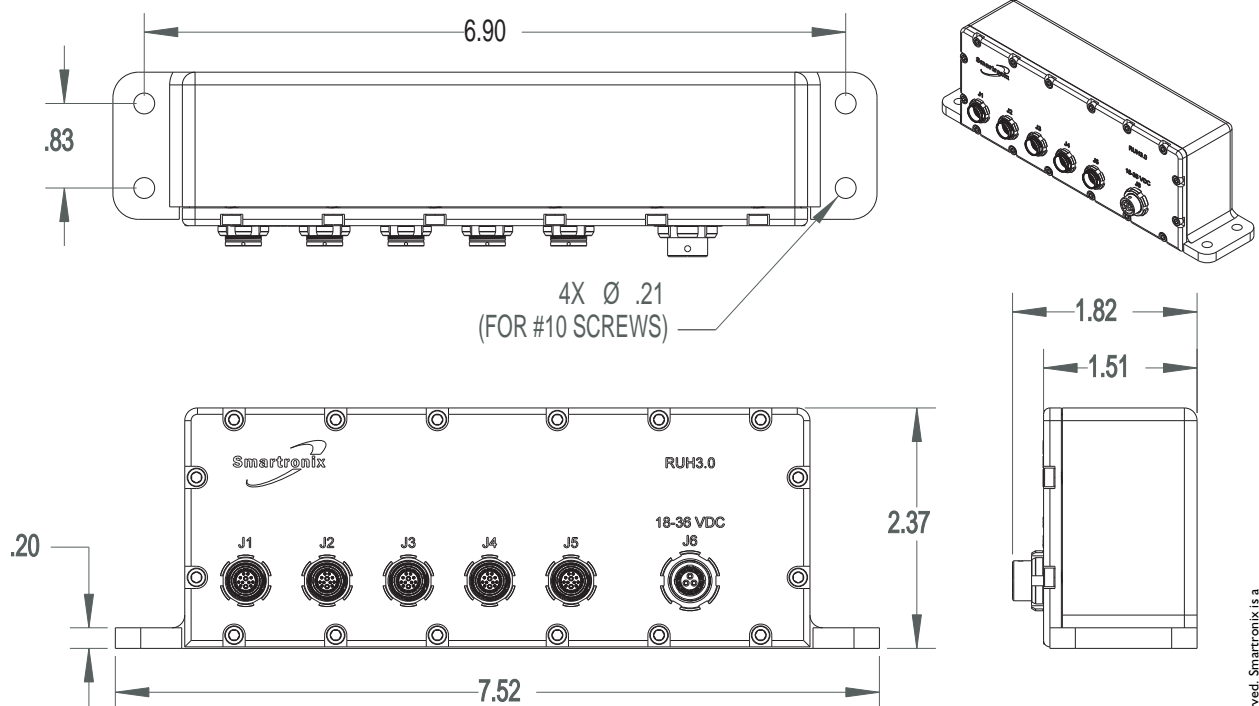
- ▶ Slim, durable design
- ▶ Retentive connectors
- ▶ Heavy-duty military connectors prevent accidental disconnection
- ▶ Withstands extreme temperatures
- ▶ Withstands extreme shock
- ▶ Electromagnetically shielded
- ▶ Built-in mount points
- ▶ Port overcurrent protection
- ▶ Four powered SuperSpeed USB 3.0 Ports
 - High-speed data transfers up to 5Gbps
 - Up to 900 mA per downstream port
 - Fully backwards compatible with USB predecessors
- ▶ Can cascade multiple hubs, enabling many devices
- ▶ Operates with Microsoft® Windows, Apple® Macintosh OS, Linux, and other USB-capable operating systems



SPECIFICATIONS

| General | |
|----------------------------|--|
| Dimensions | 7.52" x 2.37" x 1.8" |
| Weight | 1.22 lbs. |
| Finish | Black anodize (MIL-A-8625, Type II) |
| Ports | (4) Downstream USB ports, (1) Upstream USB port, and (1) Power |
| Power Cable Connector | ODU S10YAR-P03XJG0-0000 |
| Upstream Cable Connector | ODU A10WBM-P12XMM0 |
| Downstream Cable Connector | ODU A10WCM-P12XMM0 |
| Port Speed | Super, high, full, or low-speed device connections and super or high-speed host connection |
| Power | |
| Power Source | Self-powered with external supply |
| Consumption | 19 watts with full power to all downstream devices |
| Self-Power Input Voltage | 18-36 VDC @ 1A |
| Output (Downstream) | 5VDC at 900mA per port with overcurrent protection |
| Environmental | |
| Operating Temperature | Minimum -40°C to Maximum +70°C |
| Storage Temperature | Minimum -55°C to Maximum +85°C |
| Cooling | Conduction/convection via case |
| Addition Certifications | Vibration and pyroshock |
| EMC/EMI Certifications | Emissions and susceptability |
| USB Certification | USB 3.1 Gen 1 SuperSpeed 5Gb/sec and USB 2.0 |

DIMENSIONS



Smarttronix

MISSION
ASSURED

ISO 9001 | 20000 | 27001
CMMI DEV/3 | SVC/3

MISSION
BUILT

sales@smarttronix.com
301-373-6029